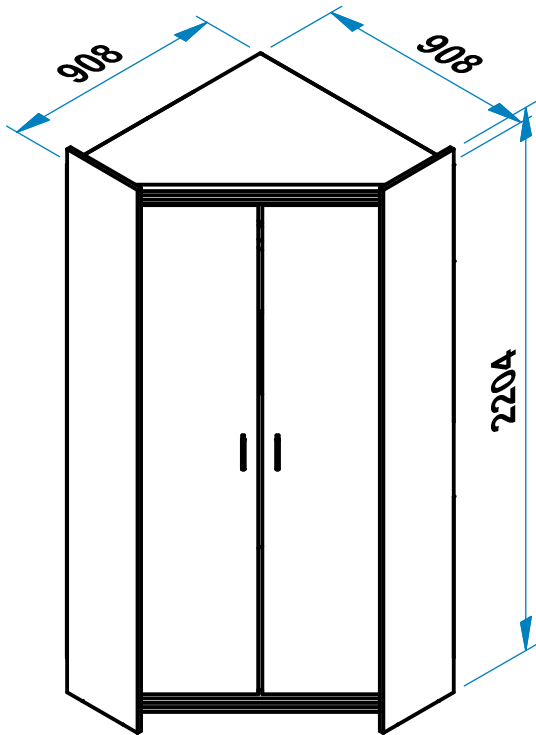
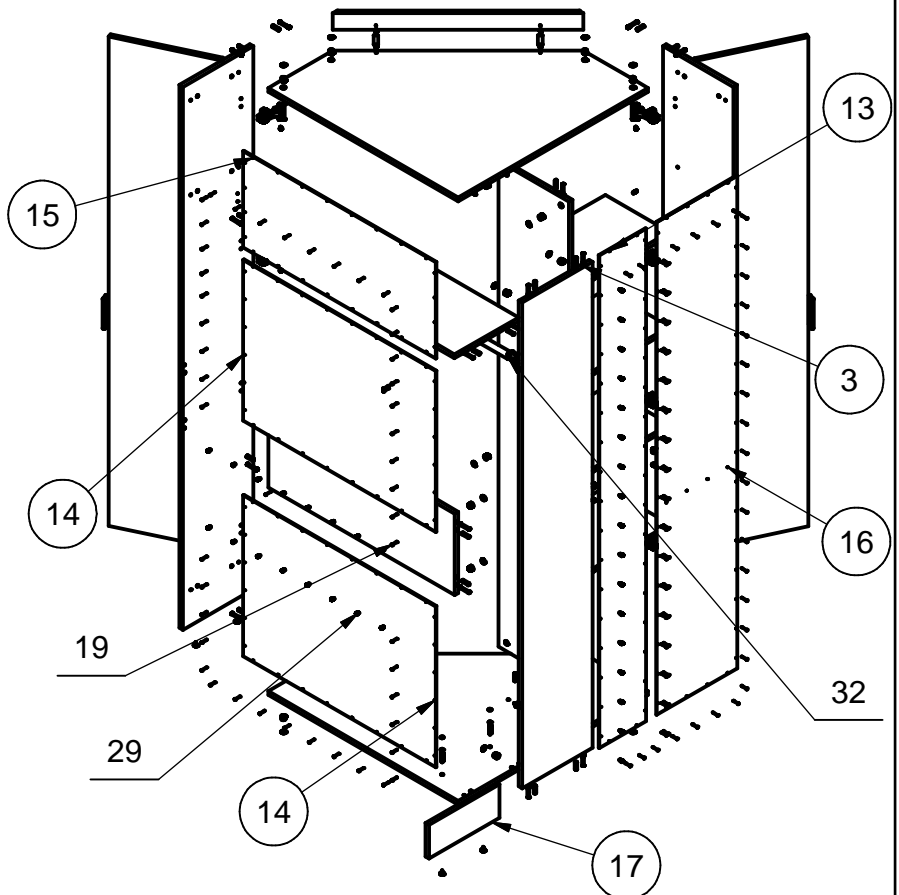


# Шкаф угловой СБ-1894 ДАКОТА



| Поз. | L    | B    | S    | Кол. |
|------|------|------|------|------|
| 1    | 2200 | 330  | 16   | 1    |
| 2    | 2200 | 330  | 16   | 1    |
| 3    | 1968 | 330  | 16   | 1    |
| 4    | 1968 | 330  | 16   | 1    |
| 5    | 872  | 300  | 16   | 1    |
| 6    | 889  | 889  | 16   | 1    |
| 7    | 354  | 300  | 16   | 1    |
| 8    | 889  | 889  | 16   | 1    |
| 10   | 872  | 330  | 16   | 1    |
| 13   | 1996 | 219  | 3    | 1    |
| 14   | 652  | 901  | 3    | 2    |
| 15   | 390  | 901  | 3    | 1    |
| 16   | 1996 | 376  | 3    | 1    |
| 11   | 830  | 17,4 | 68,4 | 2    |
| 17   | 330  | 136  | 16   | 1    |
| 9    | 1982 | 396  | 16   | 2    |
| 12   | 354  | 300  | 16   | 3    |

|    |     |          |  |     |
|----|-----|----------|--|-----|
| 18 | 410 | Φ8-30    |  | 28  |
| 19 | 301 | 1,6x25   |  | 133 |
| 20 | 202 | 4x13     |  | 8   |
| 21 | 209 | 4x25     |  | 4   |
| 22 | 205 | 4x16     |  | 4   |
| 23 | 406 | Φ7-50    |  | 2   |
| 24 | 461 |          |  | 2   |
| 25 | 472 | 45*vk1.  |  | 8   |
| 26 | 470 | H008 D14 |  | 6   |
| 27 | 405 | 5.4-X-01 |  | 12  |
| 28 | 402 |          |  | 2   |
| 29 | 602 | 4 x 13   |  | 49  |
| 30 | 561 |          |  | 28  |
| 31 | 538 |          |  | 4   |
| 32 | 412 |          |  | 1   |
| 33 | 411 | oval.    |  | 2   |



# Шкаф угловой СБ-1894 ДАКОТА

